



**SW22E Wirewound  
Precision Single Turn Potentiometer**

[HOME PAGE](#)

[Linear Motion Potentiometers](#)

[Single Turn Potentiometers](#)

[Multi-Turn Potentiometers](#)

[Industrial Joysticks](#)

[Foot Controllers](#)

[Valve Actuators](#)

[Turn Counting Dials](#)

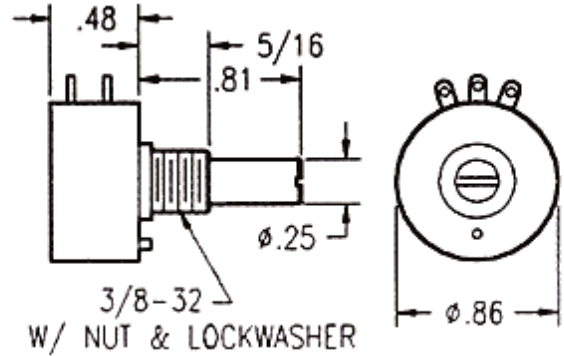
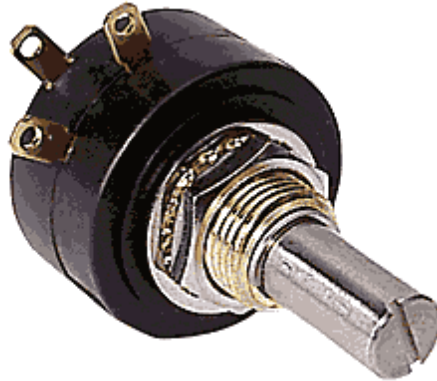
[Cross Reference](#)

[ETI Systems Sales Reps](#)

[ETI Systems Distributors](#)

RoHS/WEEE

Contact  
ETI Systems at:  
(760) 929-0749  
[eti@etisystems.com](mailto:eti@etisystems.com)



**SW22E Single Turn Potentiometer**

- Wirewound Element. Gold Plated Terminals.
- High Temp. Thermoplastic Housing. Stainless Steel Shaft.
- Recommended for Medical Equipment (non-life support), Robotics, Industrial, Test and Lab Equipment.
- Life Expectancy: 500,000 turns
- Resistance Tolerance:  $\pm 3\%$  standard ( $\pm 1.0\%$  available)
- Linearity Tolerance:  $\pm 0.5\%$  standard ( $\pm 0.25\%$  available)
- Electrical Angle:  $320^\circ \pm 5^\circ$
- Mechanical Angle:  $320^\circ \pm 5^\circ$
- Power Rating: 0.5 Watt
- Torque: Below 0.8 oz. in.
- Weight: Approx. 0.7 oz.

For Additional Product Information, refer to the [Single Turn Potentiometer Design Guide](#)

**Request For Quotation (Requires User Registration)**

**Electrical Specifications:**

Resistance Value (10 to 20K ohms standard)

**Mechanical Options:**

- **CT** Center Tap
- **SB** Sealed Body
- **NS** No Stops (Rotational angles become 355° electrical & 360° mechanical)
- **FL** Flatted Shaft (Indexed to CCW terminal)
- **SL** Side Load Treatment (to provide extended bushing life)  
Servo mounting with ball bearings
- **S** (Rotational angles become 355° electrical & 360° (continuous) mechanical and life expectancy become 50,000,000 turns)

---

**Comments & Special Requirements:**

**Quantity Required**

**Date Required**

**Return to: [Single Turn Potentiometer Selection Guide](#)**

Call ETI Systems at **(760)929-0749** to order by phone  
or for assistance with your custom application